

QUAKER WINDOWS PRODUCTS

SERIES B500/T500 (#8050) THERMALLY BROKEN ALUMINUM SINGLE HUNG WINDOW (NON-IMPACT)



504 HIGHWAY 63 SOUTH
FREEBURG, MO 65582
PH: (651) 264-5150 FX: (651) 264-5485

INSTALLATION NOTES:

- ONE (1) INSTALLATION ANCHOR IS REQUIRED AT EACH ANCHOR LOCATION SHOWN, UNLESS OTHERWISE STATED.
- THE NUMBER OF INSTALLATION ANCHORS DEPICTED IS THE MINIMUM NUMBER OF ANCHORS TO BE USED FOR PRODUCT INSTALLATION.
- INSTALL INDIVIDUAL INSTALLATION ANCHORS WITHIN A TOLERANCE OF $\pm 1/16$ INCH OF THE DEPICTED LOCATION IN THE ANCHOR LAYOUT DETAIL (I.E., WITHOUT CONSIDERATION OF TOLERANCES). TOLERANCES ARE NOT CUMULATIVE FROM ONE INSTALLATION ANCHOR TO THE NEXT.
- SHIM AS REQUIRED AT EACH INSTALLATION ANCHOR WITH LOAD BEARING SHIM(S). MAXIMUM ALLOWABLE SHIM STACK TO BE 3/8 INCH. SHIM WHERE SPACE OF 1/16 INCH OR GREATER OCCURS. SHIM(S) SHALL BE CONSTRUCTED OF HIGH DENSITY PLASTIC OR BETTER.
- FOR INSTALLATION INTO 2X WOOD BUCK OR FRAMING, USE ONE #10 WOOD SCREW, TYPE INSTALLATION ANCHOR PER LOCATION OF SUFFICIENT LENGTH TO ACHIEVE A MINIMUM 1 1/2" EMBEDMENT.
- FOR INSTALLATION INTO METAL STUD, USE ONE #10 SELF-DRILLING SCREW, TYPE INSTALLATION ANCHOR PER LOCATION OF SUFFICIENT LENGTH TO ACHIEVE MINIMUM PENETRATION OF 3 THREADS BEYOND METAL STRUCTURE.
- MINIMUM EMBEDMENT AND EDGE DISTANCE EXCLUDE WALL FINISHES, INCLUDING BUT NOT LIMITED TO STUCCO, FOAM, BRICK VENEER, AND SIDING.
- INSTALLATION ANCHORS AND ASSOCIATED HARDWARE MUST BE MADE OF CORROSION RESISTANT MATERIAL OR HAVE A CORROSION RESISTANT COATING.
- INSTALLATION ANCHORS SHALL BE INSTALLED IN ACCORDANCE WITH ANCHOR MANUFACTURER'S INSTALLATION INSTRUCTIONS, AND ANCHORS SHALL NOT BE USED IN SUBSTRATES WITH STRENGTHS LESS THAN THE MINIMUM STRENGTH SPECIFIED BY THE ANCHOR MANUFACTURER.
- INSTALLATION ANCHOR CAPACITIES FOR PRODUCTS HEREIN ARE BASED ON SUBSTRATE MATERIALS WITH THE FOLLOWING PROPERTIES:
 - STEEL - MIN. TENSILE YIELD STRENGTH OF 33 KSI. MIN. 18 GAUGE THICKNESS (0.0478"). MIN 1/2" EDGE DISTANCE.
 - WOOD - MINIMUM SPECIFIC GRAVITY = 0.42

GENERAL NOTES:

- THE PRODUCT SHOWN HEREIN IS DESIGNED AND MANUFACTURED TO COMPLY WITH THE 2009 IBC, IRC, AND 2010 FLORIDA BUILDING CODE, EXCLUDING HVHZ, AND HAS BEEN EVALUATED TO THE FOLLOWING:
 - AAMA/WDMA/CSA 101/1.S.2/A440-08
- ADEQUACY OF THE EXISTING STRUCTURAL 2X WOOD FRAMING OR METAL STUD FRAMING AS A MAIN WIND FORCE RESISTING SYSTEM CAPABLE OF WITHSTANDING AND TRANSFERRING APPLIED PRODUCT LOADS TO THE FOUNDATION IS THE RESPONSIBILITY OF THE ENGINEER OR ARCHITECT OF RECORD FOR THE PROJECT OF INSTALLATION.
- THE INSTALLATION DETAILS DESCRIBED HEREIN ARE GENERIC AND MAY NOT REFLECT ACTUAL CONDITIONS FOR A SPECIFIC SITE. IF SITE CONDITIONS CAUSE INSTALLATION TO DEVIATE FROM THE REQUIREMENTS DETAILED HEREIN, A LICENSED ENGINEER OR ARCHITECT SHALL PREPARE SITE SPECIFIC DOCUMENTS FOR USE WITH THIS DOCUMENT IN NON-HVHZ AREA.
- APPROVED IMPACT PROTECTIVE SYSTEM **IS REQUIRED** TO PROTECT THIS PRODUCT IN AREAS REQUIRING IMPACT RESISTANCE.
- GLAZING SHALL COMPLY WITH LOAD RESISTANCE REQUIREMENTS PER ASTM E1300-04.
- FRAME MATERIAL: 6063-T6 ALUMINUM
- DESIGNATIONS "X" AND "O" STAND FOR THE FOLLOWING:
X: OPERABLE PANEL
O: FIXED PANEL

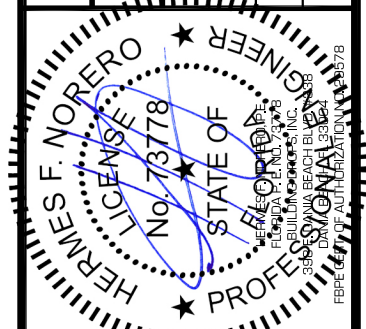
TABLE OF CONTENTS		
SHEET	REVISION	SHEET DESCRIPTION
1	-	INSTALLATION AND GENERAL NOTES
2	-	ELEVATION & ANCHOR LAYOUTS
3	-	VERTICAL SECTIONS AND GLAZING DETAIL
4	-	HORIZONTAL SECTIONS
5	-	BILL OF MATERIALS & COMPONENTS

MAX. DESIGN PRESSURE RATING	
+50.0 / -50.0 PSF	NON IMPACT RATED

TITLE: SERIES B500/T500 (#8050)
SINGLE HUNG WINDOW
INSTALLATION AND
GENERAL NOTES

PREPARED BY:
BUILDING DROPS, INC.
398 E. DANIA BEACH BLVD. #338
DANIA BEACH, FL 33004
PH: (954) 399-8478 FX: (954) 744-4738

REVISIONS	DESCRIPTION	BY	DATE
		NO.	

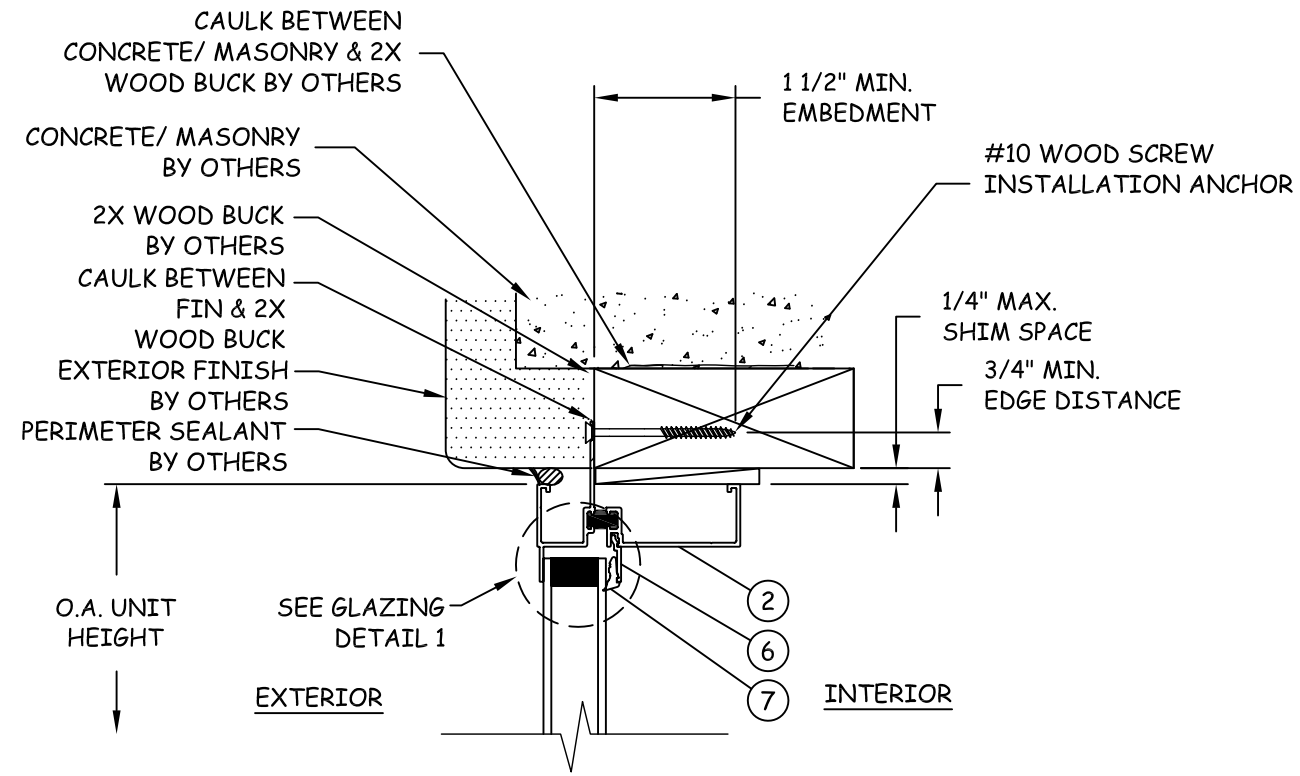


DATE: 07.17.12
DWN BY: MTJ
CHK BY: HFN
SCALE: NTS

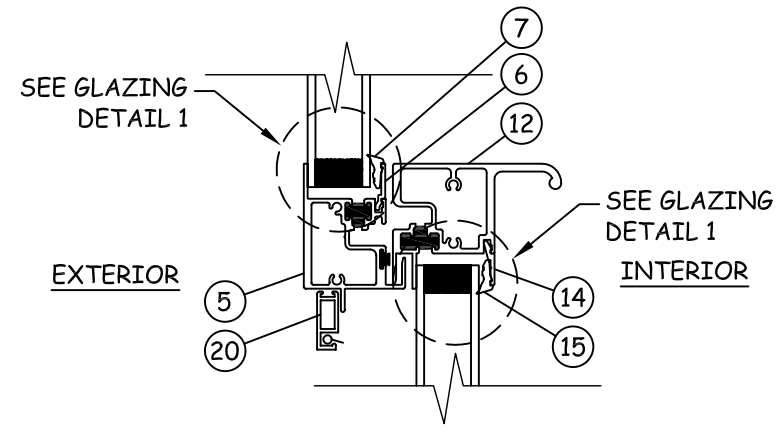
DWG #: **QWP013**

SHEET: **1 OF 5**

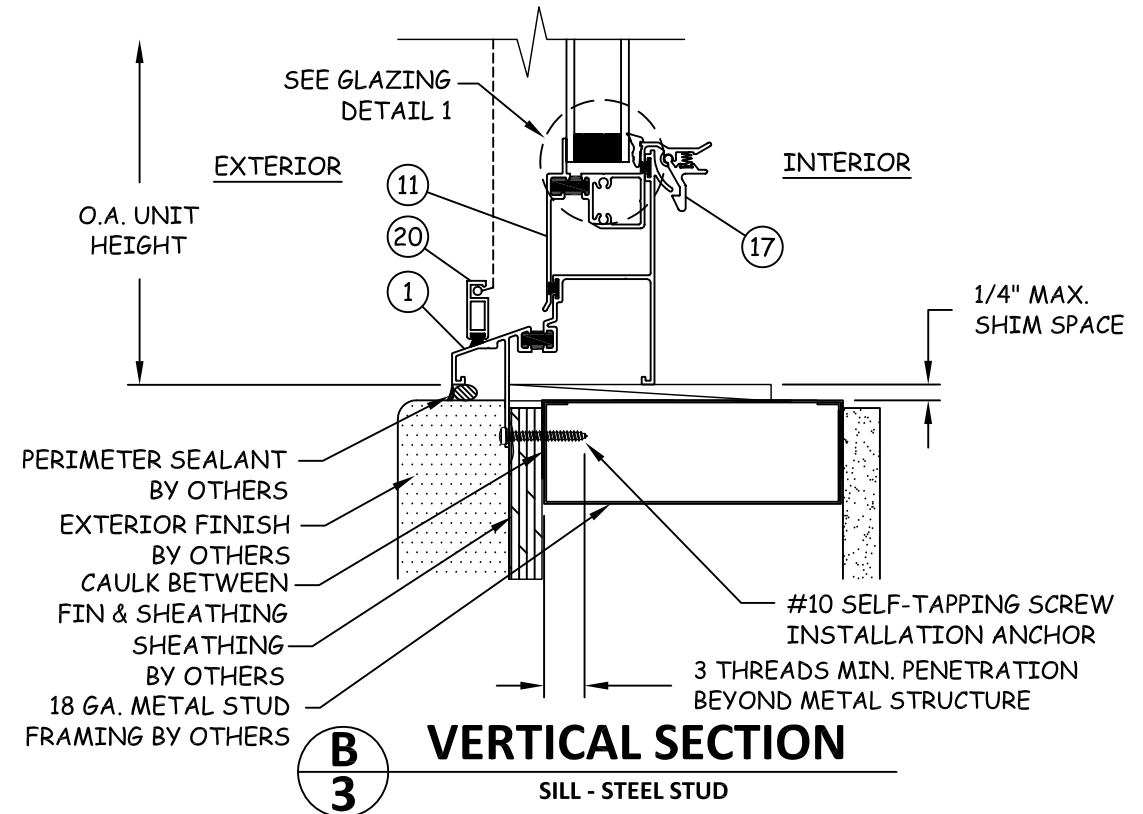
s:\projects\quaker window products\fb-12-1013 series 8050 single hung window\dwg\qwp013_8050_sh_nonimpact.dwg 3/20/2013 3:20 PM



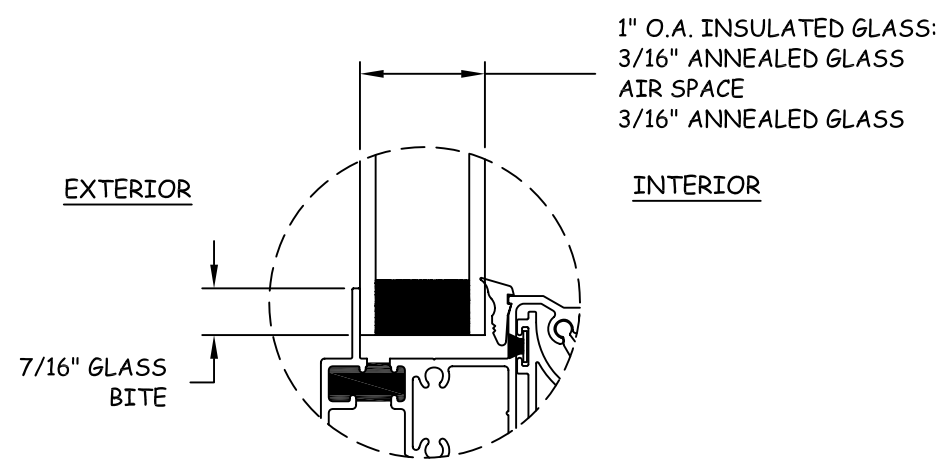
A
3 VERTICAL SECTION
HEAD - 2X WOOD BUCK



C
3 VERTICAL SECTION
MEETING RAIL



B
3 VERTICAL SECTION
SILL - STEEL STUD

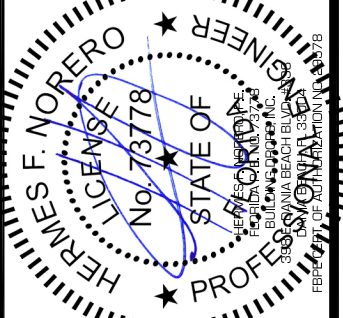


GLAZING DETAIL 1

TITLE: SERIES B500/T500 (#8050)
SINGLE HUNG WINDOW
VERTICAL SECTIONS
& GLAZING DETAIL

PREPARED BY:
BUILDING DROPS, INC.
398 E. DANIA BEACH BLVD. #338
DANIA BEACH, FL 33004
PH: (954) 399-8478 FX: (954) 744-4738

REVISIONS	DESCRIPTION	BY	DATE	
				NO.

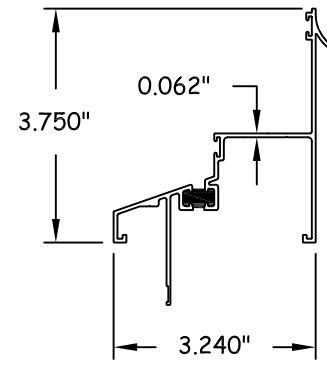


DATE: 07.17.12
DWN BY: MTJ
CHK BY: HFN
SCALE: NTS

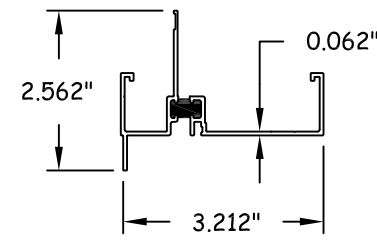
DWG #: **QWP013**
SHEET: **3 OF 5**

BILL OF MATERIALS			
NO.	DESCRIPTION	MATERIAL	MANUFACTURER
1	FRAME SILL	ALUMINUM 6063-T6	QUAKER
2	FRAME HEADER	ALUMINUM 6063-T6	QUAKER
3	FRAME JAMB	ALUMINUM 6063-T6	QUAKER
4	SASH STOP	ALUMINUM 6063-T6	QUAKER
5	KEEPER RAIL	ALUMINUM 6063-T6	QUAKER
6	GLAZING STOP	ALUMINUM 6063-T6	QUAKER
7	GLAZING STOP SEAL	ALUMINUM 6063-T6	QUAKER
8	WEATHER STRIP	-	QUAKER
9	SCREEN RETAINER	ALUMINUM 6063-T6	QUAKER
10	GLASS SETTING BLOCK	ALUMINUM 6063-T6	QUAKER
11	BOTTOM SASH RAIL	ALUMINUM 6063-T6	QUAKER
12	LOCK RAIL	ALUMINUM 6063-T6	QUAKER
13	SASH STILE	ALUMINUM 6063-T6	QUAKER
14	GLAZING STOP	ALUMINUM 6063-T6	QUAKER
15	GLAZING STOP SEAL	ALUMINUM 6063-T6	QUAKER
16	WEATHER STRIP	ALUMINUM 6063-T6	QUAKER
17	GRAVITY LATCH W/SPRING	ALUMINUM 6063-T6	QUAKER
18	GLASS SETTING BLOCK	ALUMINUM 6063-T6	QUAKER
19	BALANCER GUIDE	ALUMINUM 6063-T6	QUAKER
20	SCREEN FRAME	ALUMINUM 6063-T6	QUAKER
21	SCREEN BOTTOM RAIL	ALUMINUM 6063-T6	QUAKER
22	SCREEN CORNER KEY	ALUMINUM 6063-T6	QUAKER
23	SCREEN HANDLE	ALUMINUM 6063-T6	QUAKER

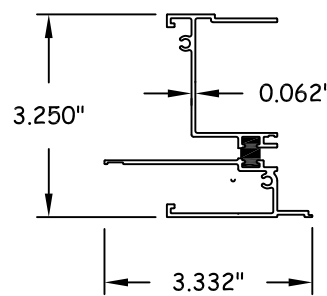
1 FRAME SILL
6063-T6 ALUMINUM
TYPICAL WALL
THICKNESS: 0.062"



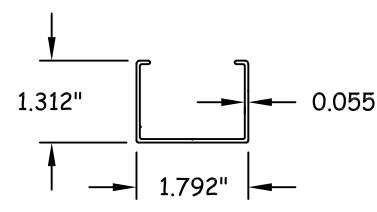
2 FRAME HEADER
6063-T6 ALUMINUM
TYPICAL WALL
THICKNESS: 0.062"



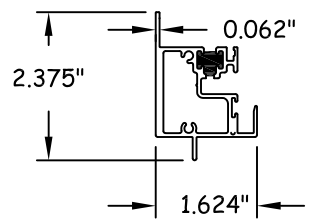
3 FRAME JAMB
6063-T6 ALUMINUM
TYPICAL WALL
THICKNESS: 0.062"



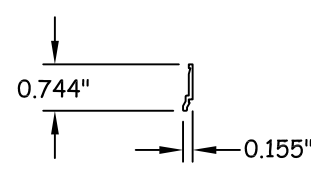
4 SASH STOP
6063-T6 ALUMINUM
TYPICAL WALL
THICKNESS: 0.055"



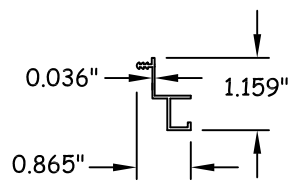
5 KEEPER RAIL
6063-T6 ALUMINUM
TYPICAL WALL
THICKNESS: 0.062"



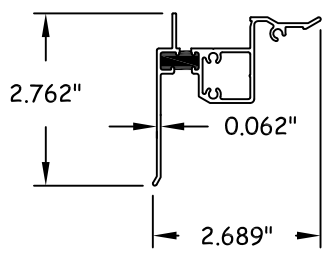
6 GLAZING STOP
6063-T6 ALUMINUM
TYPICAL WALL
THICKNESS: 0.062"



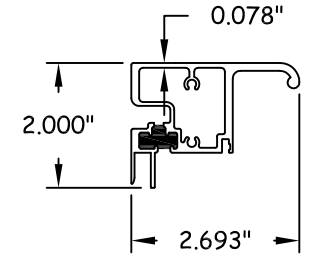
9 SCREEN RETAINER
6063-T6 ALUMINUM
TYPICAL WALL
THICKNESS: 0.055"



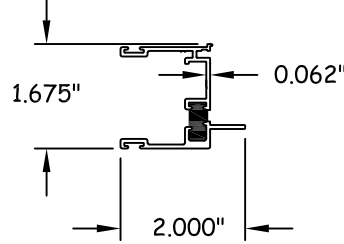
11 BOTTOM SASH RAIL
6063-T6 ALUMINUM
TYPICAL WALL
THICKNESS: 0.055"



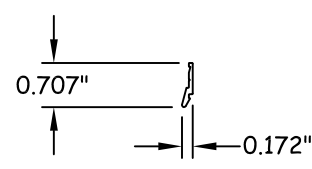
12 LOCK RAIL
6063-T6 ALUMINUM
TYPICAL WALL
THICKNESS: 0.078"



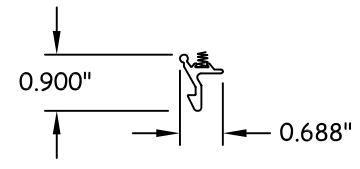
13 SASH STILE
6063-T6 ALUMINUM
TYPICAL WALL
THICKNESS: 0.062"



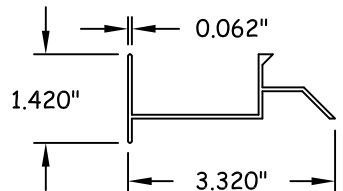
14 GLAZING STOP
6063-T6 ALUMINUM
TYPICAL WALL
THICKNESS: 0.062"



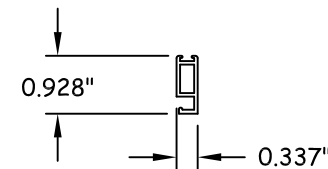
17 GRAVITY LATCH
6063-T6 ALUMINUM
TYPICAL WALL
THICKNESS: 0.062"



19 BALANCER GUIDE
6063-T6 ALUMINUM
TYPICAL WALL
THICKNESS: 0.062"



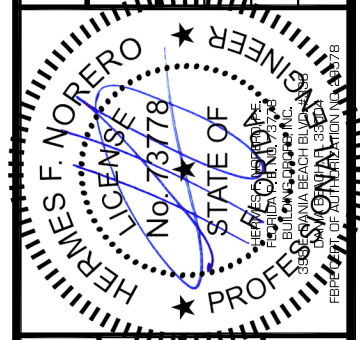
20 SCREEN FRAME
6063-T6 ALUMINUM
TYPICAL WALL
THICKNESS: 0.056"



504 HIGHWAY 63 SOUTH
FREEBURG, MO 65582
PH: (651) 264-5150 FX: (651) 264-5485

TITLE: SERIES B500/T500 (#8050)
SINGLE HUNG WINDOW
BILL OF MATERIALS &
COMPONENTS
PREPARED BY:
BUILDING DROPS, INC.
398 E. DANIA BEACH BLVD. #338
DANIA BEACH, FL 33004
PH: (954) 399-8478 FX: (954) 744-4738

REVISIONS	DESCRIPTION	DATE	
		BY	
NO.			



DATE: 07.17.12
DWN BY: MTJ
CHK BY: HFN
SCALE: NTS

DWG #: QWP013
SHEET: 5 OF 5